

## Cooker hob KE

Gas hobs

Code: 7605 032



### DETAILS

Edge/Installation Type Q4 (4 mm Edge)

---

Finish Foster brushed

---

Material AISI 304 stainless steel

---

Texture Brushed in line

---

Supply 220-240 V; 50/60 Hz

---

Dimensions 810x520 mm

---

Base size 80cm

---

Heating element Five burners

---

Cut out 770x480 mm

---

Grids Cast iron grids and enamelled burner covers

---

Width 81 cm

---

Total power 9.500 W

---

Auxiliary 2x1.100 W

---

Semirapid 2x1.750 W

---

Triple crown 3.800 W

---

Safety Safety valve with quick-acting thermocouple

---

Ignition Electric ignition under knob

---

Gas type Tested for installation with natural gas, LPG nozzle set included.

---

Type Gas Hob

---

## FEATURES

Gas hobs

---

**Under-knob ignition** The utmost freedom of movement with electronic under-knob ignition, a common feature of all models that allows a one-hand ignition of the burner.

---

**lil series burners** lil ^ series burners: 20% gas savings. They guarantee an efficiency well above the European standards. Furthermore, the improved combustion of gas allows the development of higher powers. From the point of view of safety, the blocking system between the cover and the flame-spreader guarantees perfect positioning and greater ease of cleaning.

---

## Special burners

Many Foster hobs are equipped with special burners, with two or three rings of fire that greatly increase the power delivered and the heated surface. In the DUAL models the two fire crowns also have independent ignition, making these burners perfect for both intensive and delicate cooking.

---

## Safe cooking

All Foster cooker hobs are equipped with safety valves. They shut off the gas supply very quickly if the flame accidentally goes out.

---

## Cast iron grids

Cast-iron is the ideal material for an hob grid, this due to the manifold properties characterising it: high heat capacity that improves cooking performance; high weight and stability that improve safety; sturdiness that preserves the hob's original aspect over time; easy cleaning.

---

## Inclined recess

A deep and inclined recess houses the burners and grids, allowing to create a single work surface. The inclination also makes it extremely easy to clean the edges.

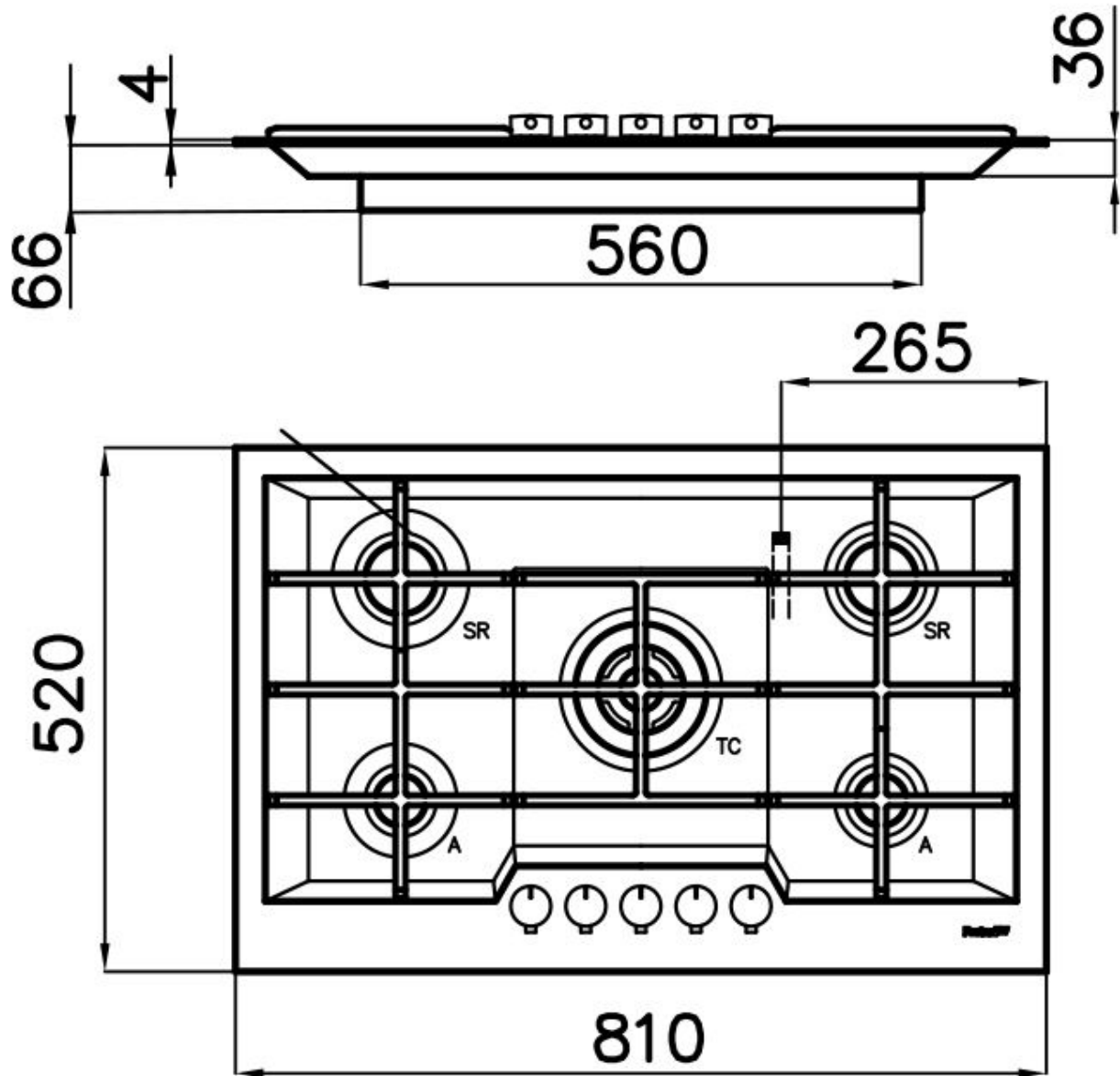
---

## Ultra-flat hob

Design meets functionality in the the ultra-flat models. Elegant grids that form a generously sized overall surface.

---

## TECHNICAL DATA



## GALLERY



## OPTIONAL ACCESSORIES



**Cast iron wok support**  
9601 727



**Induction Pro - Cookware set - 8pcs**  
8210 008